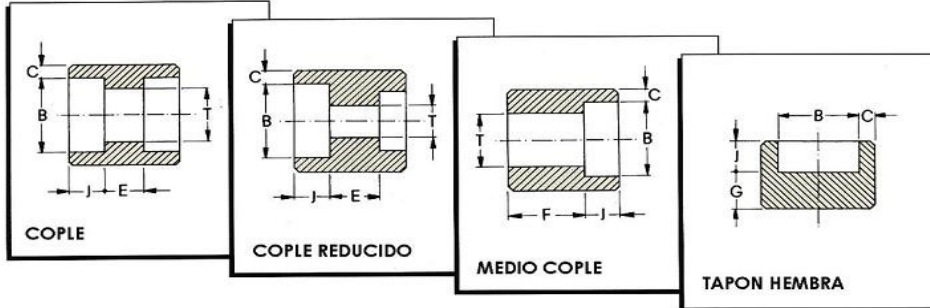




VACONSA

Tabla de Medidas

Conexión Forjada Caja para Soldar (SW)



CLASE	PULG	DIAMETRO NOMINAL											
		1/8	1/4	3/8	1/2	3/4	1	1 1-4	1 1-2	2	2 1-2	3	4
3000 LBS	C PROM	3.2	3.8	4.0	4.7	4.9	5.7	6.1	6.4	6.9	8.8	9.5	10.7
	MIN	3.2	3.3	3.5	4.1	4.3	5.0	5.3	5.5	6.0	7.7	8.3	9.3
	E MAX	7.9	7.9	9.4	12.7	12.7	16.8	16.8	16.8	23.1	24.1	24.1	24.1
	MIN	4.8	4.8	3.3	6.6	6.6	8.6	8.6	8.6	15.0	14.0	14.0	14.0
	F MAX	16.5	16.5	19.0	23.9	25.4	30.5	32.3	33.8	43.2	45.5	47.0	50.3
	MIN	15.0	15.0	16.0	20.8	22.4	26.4	28.2	29.7	39.1	40.4	41.9	45.2
	G MIN	4.0	7.0	7.0	8.0	10.0	11.0	13.0	14.0	18.0	21.0	24.0	30.0
	T MAX	7.6	10.0	13.3	16.6	21.7	27.4	35.8	41.6	53.3	64.2	79.5	103.8
	MIN	6.1	8.5	11.8	15.0	20.2	25.9	34.3	40.1	51.7	61.2	76.4	100.7
	6000 LBS	C PROM	4.0	4.6	5.0	6.0	7.0	7.9	7.9	8.9	10.9	11.9	13.9
MIN		3.4	4.0	4.4	5.2	6.0	6.9	6.9	7.8	9.5	10.4	12.2	14.8
E MAX		7.9	7.9	9.4	12.7	12.7	16.8	16.8	16.8	23.1	24.1	24.1	24.1
MIN		4.8	4.8	3.3	6.6	6.6	8.6	8.6	8.6	15.0	14.0	14.0	14.0
F MAX		16.5	16.5	19.0	23.9	25.4	30.5	32.3	33.8	43.2	45.5	47.0	50.3
MIN		15.0	15.0	16.0	20.8	22.4	26.4	28.2	29.7	39.1	40.4	41.9	45.2
G MIN		6.0	8.0	10.0	11.0	13.0	14.0	18.0	19.0	24.0	29.0	34.0	44.0
T MAX		4.8	7.1	9.9	12.5	16.3	21.5	30.2	34.7	43.6	54.8	66.3	88.0
MIN		3.2	5.6	8.4	11.0	14.8	19.9	28.7	33.2	42.1	53.3	64.8	86.5
CAJA		B MAX	10.9	14.3	17.8	22	27.3	34.1	42.8	48.9	61.4	74.2	90.2
	MIN	10.7	14.1	17.5	21.7	27	33.8	42.5	48.6	61.1	73.8	89.8	115.4
	J MIN	9.7	9.7	9.7	9.7	12.7	12.7	12.7	12.7	15.7	15.7	15.7	19

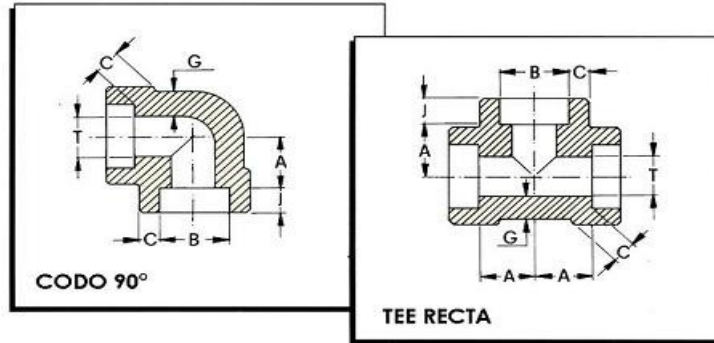
Nota: todas las dimensiones son en milímetros y pueden variar dependiendo del fabricante.



VACONSA

Tabla de Medidas

Conexión Forjada Caja para Soldar (SW)



CLASE	PULG	DIAMETRO NOMINAL											
		1/8	1/4	3/8	1/2	3/4	1	1 1-4	1 1-2	2	2 1-2	3	4
3000 LBS	A MAX	11.9	11.9	15.0	17.2	20.5	24.4	28.9	33.8	40.1	43.7	59.7	69.1
	MIN	10.4	10.4	12.0	14.2	17.5	20.3	24.9	29.7	36.1	38.6	54.6	64.0
	C PROM	3.2	3.8	4.0	4.7	4.9	5.7	6.1	6.4	6.9	8.8	9.5	10.7
	MIN	3.2	3.3	3.5	4.1	4.3	5.0	5.3	5.5	6.0	7.7	8.3	9.3
	G MIN	2.4	3.0	3.2	3.7	3.9	4.5	4.9	5.1	5.5	7.0	7.6	8.6
	T MAX	7.6	10.0	13.3	16.6	21.7	27.4	35.8	41.6	53.3	64.2	79.5	103.8
MIN	6.1	8.5	11.8	15.0	20.2	25.9	34.3	40.1	51.7	61.2	76.4	100.7	
6000 LBS	A MAX	11.9	15.0	17.2	20.5	24.4	28.9	33.8	40.1	43.6	59.6	67.0	82.2
	MIN	10.4	12.0	14.2	17.5	20.3	24.9	29.7	36.1	38.6	54.6	61.0	76.2
	C PROM	4.0	4.6	5.0	6.0	7.0	7.9	7.9	8.9	10.9	11.9	13.9	16.9
	MIN	3.4	4.0	4.4	5.2	6.0	6.9	6.9	7.8	9.5	10.4	12.2	14.8
	G MIN	3.1	3.7	4.0	4.8	5.6	6.3	6.3	7.1	8.7	9.6	11.2	13.6
	T MAX	4.8	7.1	9.9	12.5	16.3	21.5	30.2	34.7	43.6	54.8	66.3	88.0
MIN	3.2	5.6	8.4	11.0	14.8	19.9	28.7	33.2	42.1	53.3	64.8	86.5	
CAJA	B MAX	10.9	14.3	17.8	22.0	27.3	34.1	42.8	48.9	61.4	74.2	90.2	115.8
	MIN	10.7	14.1	17.5	21.7	27.0	33.8	42.5	48.6	61.1	73.8	89.8	115.4
	J MIN	9.7	9.7	9.7	9.7	12.7	12.7	12.7	12.7	15.7	15.7	15.7	19

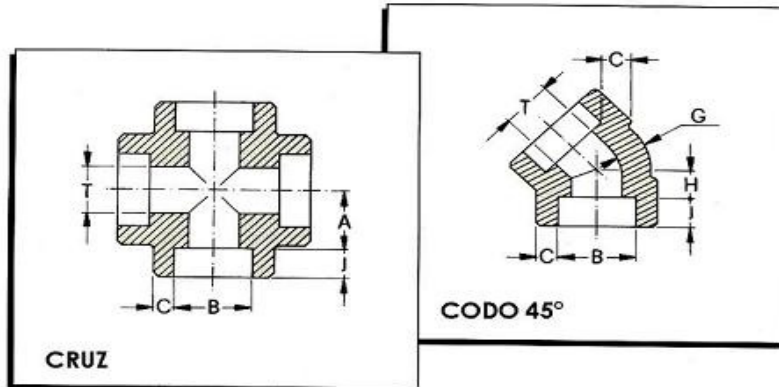
Nota: todas las dimensiones son en milímetros y pueden variar dependiendo del fabricante.



VACONSA

Tabla de Medidas

Conexión Forjada Caja para Soldar (SW)



CLASE	PULG	DIAMETRO NOMINAL											
		1/8	1/4	3/8	1/2	3/4	1	1 1-4	1 1-2	2	2 1-2	3	4
3000 LBS	A MAX	11.9	11.9	15.0	17.2	20.5	24.4	28.9	33.8	40.1	43.7	59.7	69.1
	MIN	10.4	10.4	12.0	14.2	17.5	20.3	24.9	29.7	36.1	38.6	54.6	64.0
	C PROM	3.2	3.8	4.0	4.7	4.9	5.7	6.1	6.4	6.9	8.8	9.5	10.7
	MIN	3.2	3.3	3.5	4.1	4.3	5.0	5.3	5.5	6.0	7.7	8.3	9.3
	G MIN	2.4	3.0	3.2	3.7	3.9	4.5	4.9	5.1	5.5	7.0	7.6	8.6
	H PROM	8.6	8.6	9.4	12.7	14.2	16.3	19.6	22.6	27.4	31.0	34.3	43.7
	MIN	7.1	7.1	6.3	9.6	11.2	12.2	15.5	18.5	23.4	25.9	29.2	38.6
	T MAX	7.6	10.0	13.3	16.6	21.7	27.4	35.8	41.6	53.3	64.2	79.5	103.8
	MIN	6.1	8.5	11.8	15.0	20.2	25.9	34.3	40.1	51.7	61.2	76.4	100.7
	6000 LBS	A MAX	11.9	15.0	17.2	20.5	24.4	28.9	33.8	40.1	43.6	59.6	67.0
MIN		10.4	12	14.2	17.5	20.3	24.9	29.7	36.1	38.6	54.6	61.0	76.2
C PROM		4.0	4.6	5.0	6.0	7.0	7.9	7.9	8.9	10.9	11.9	13.9	16.9
MIN		3.4	4.0	4.4	5.2	6.0	6.9	6.9	7.8	9.5	10.4	12.2	14.8
G MIN		3.1	3.7	4.0	4.8	5.6	6.3	6.3	7.1	8.7	9.6	11.2	13.6
H PROM		8.6	8.6	12.7	14.2	15.7	19.6	22.6	27.4	30.5	23.0	36.0	40.5
MIN	7.1	7.1	9.6	11.2	12.7	15.5	18.5	23.4	26.4	29.0	32.0	36.5	
T MAX	4.8	7.1	9.9	12.5	16.3	21.5	30.2	34.7	43.6	54.8	66.3	88.0	
MIN	3.2	5.6	8.4	11.0	14.8	19.9	28.7	33.2	42.1	53.3	64.8	86.5	
CAJA	B MAX	10.9	14.3	17.8	22.0	27.3	34.1	42.8	48.9	61.4	74.2	90.2	115.8
	MIN	10.7	14.1	17.5	21.7	27.0	33.8	42.5	48.6	61.1	73.8	89.8	115.4
	J MIN	9.7	9.7	9.7	9.7	12.7	12.7	12.7	12.7	15.7	15.7	15.7	19

Nota: todas las dimensiones son en milímetros y pueden variar dependiendo del fabricante.